

Unit 38, Dixon Business Centre, Bristol, BS4 5QW • +44 (0) 203 7737530  
86 - 90 Paul Street, London, EC2A 4NE • +44 (0) 1179 422512

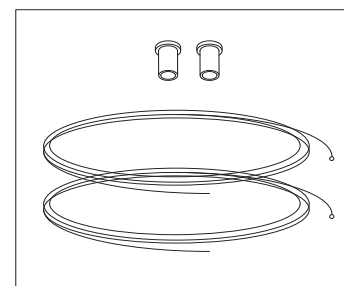
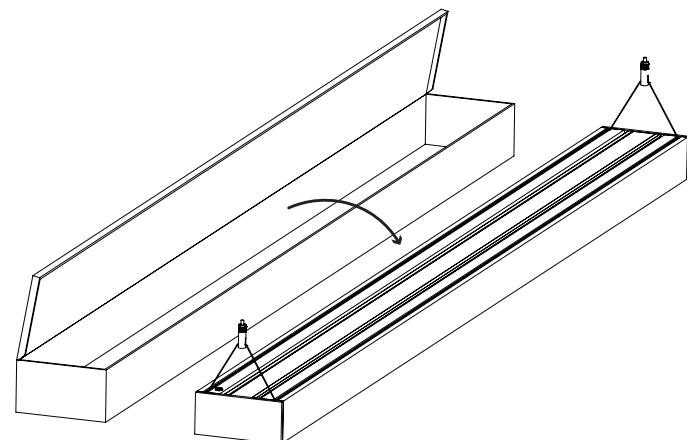
info@299lighting.co.uk • www.299lighting.co.uk

## IMPORTANT INFORMATION

**1.** Only competent persons are allowed to perform mounting and maintenance. **2.** Before installation make sure that there is no voltage in the network. **3.** Use only original parts for repairs or maintenance. **4.** Use only fixtures with proper IP protection in wet rooms. **5.** Before servicing, it is obligatory to disconnect the fixture from the network voltage. **6.** Manufacturer does not guarantee for damage caused by incorrect installation and/or use. **7.** Any operation performed on the fixture that is not in accordance with instructions will void manufacturer's warranty.

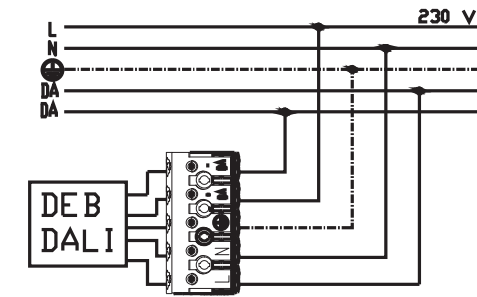
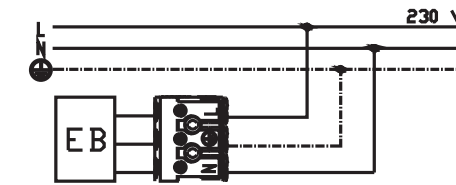


## INSIDE THE BOX

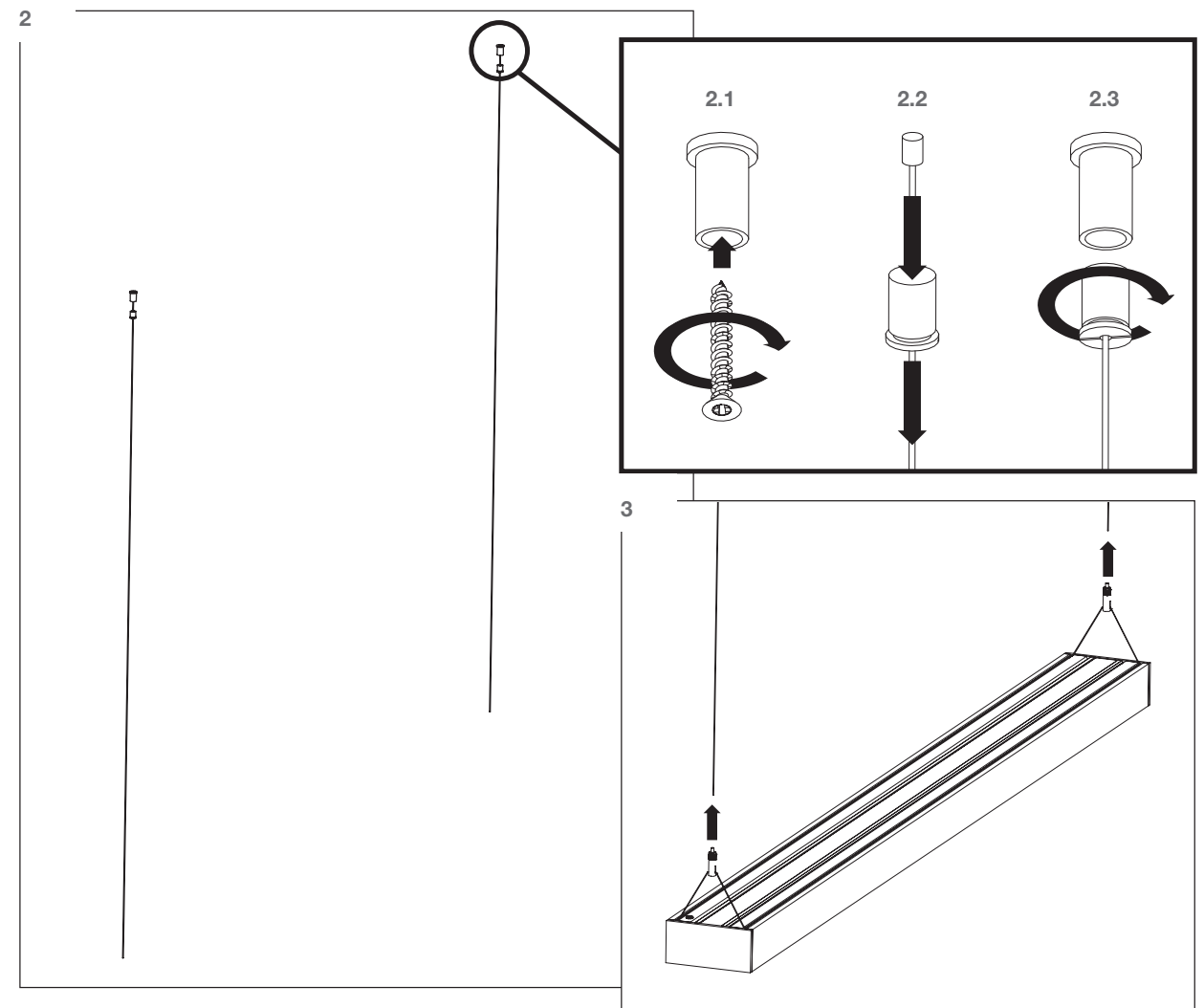
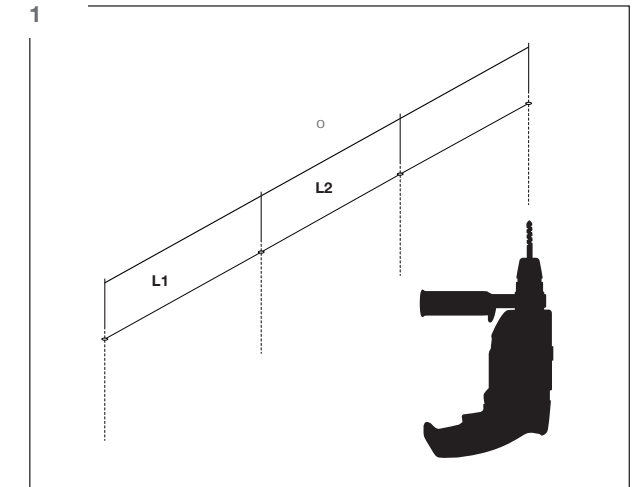


Suspension kit box

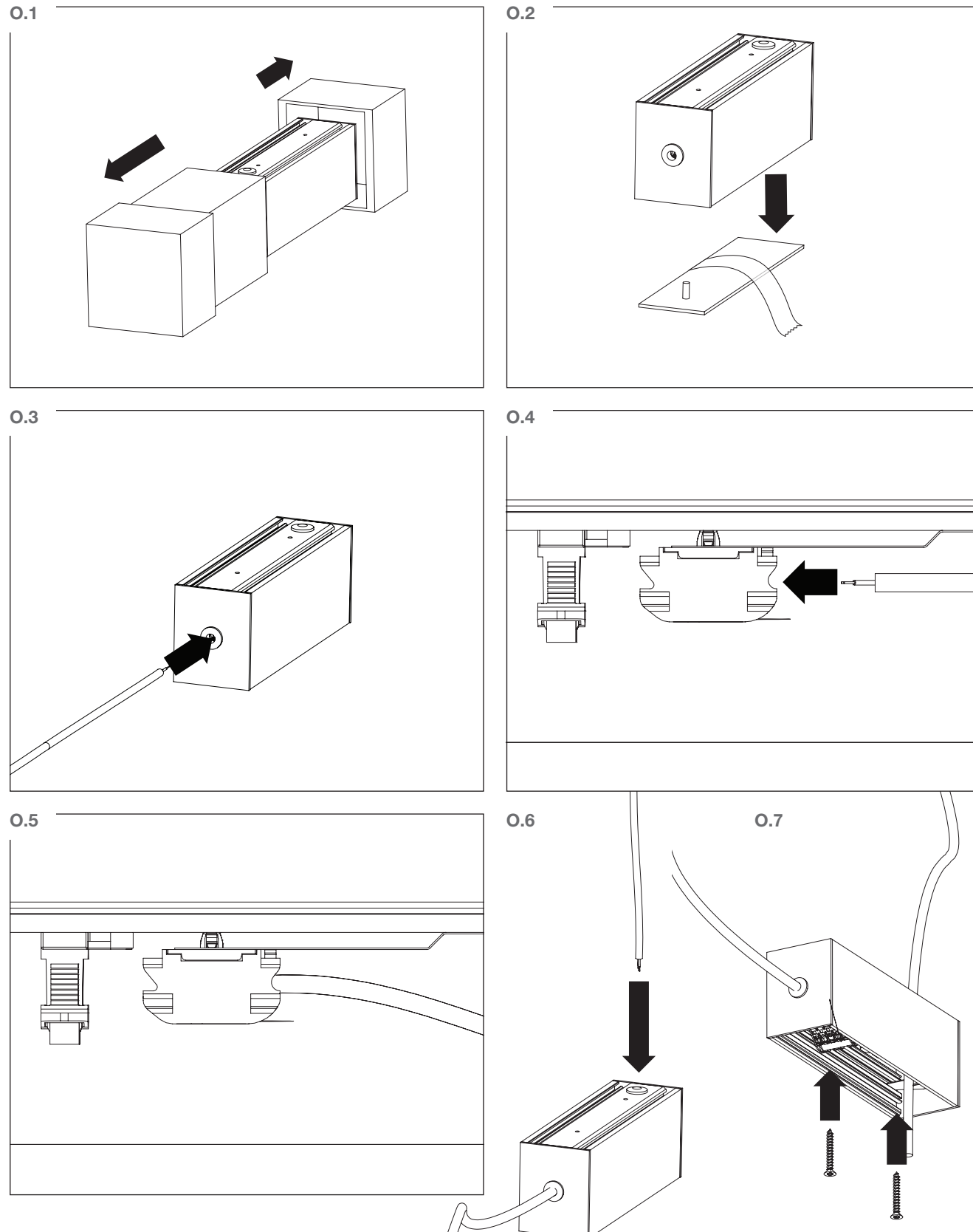
## Electrical connection



name	L	L1	L2
Oka 1200	1200	-	-
Oka 1500	1500	-	-
Oka 2400	2400	1200	-
Oka 3000	3000	1200	600



Option: canopy



Connection

