



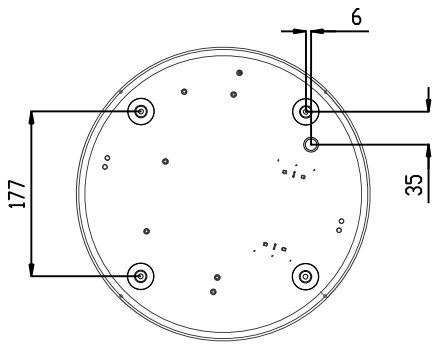
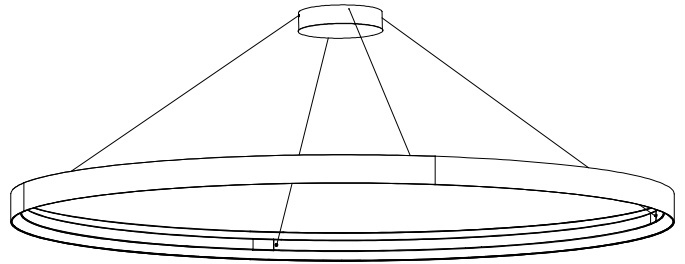
info@299lighting.co.uk
www.299lighting.co.uk

Unit 38, Dixon Business Centre, Bristol, BS4 5QW
+44 (0) 1179 422512

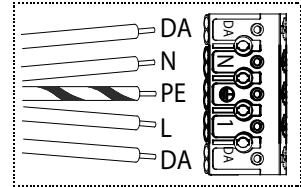
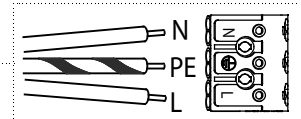
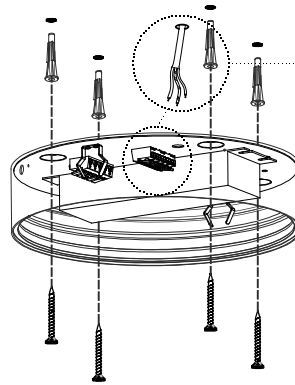
86 - 90 Paul Street, London, EC2A 4NE
+44 (0) 203 7737530

L(MM) **LED**

1000	1x110W / 8,250 lm*	48-EH3-F10-8**_*-0-*
1500	1x161W / 12,430 lm*	48-EH3-F12-8**_*-0-*
2010	1x200W / 16,560 lm*	48-EH3-F16-8**_*-0-*
2466	1x257W / 20,330 lm*	48-EH3-F20-8**_*-0-*
3012	1x315W / 24,830 lm*	48-EH3-F24-8**_*-0-*
3558	1x367W / 29,330 lm*	48-EH3-F29-8**_*-0-*
4000	1x417W / 36,360 lm*	48-EH3-F32-8**_*-0-*



1.



2.

